

### Features

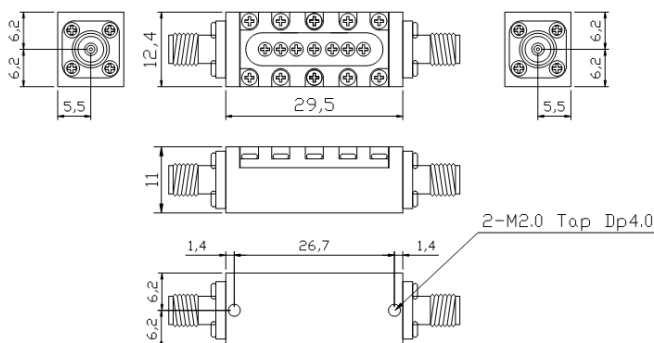
- Cavity Band Pass Filter (13.98 GHz ~ 14.98 GHz)
- Very compact size and low weight
- Typical 0.26 dB Insertion Loss



### Specifications

Parameter	Specifications	Remarks
Frequency Range	13,980 ~ 14,980 MHz	BW : 1,000 MHz
Center Frequency	14,480 MHz	
Insertion Loss (Max.)	0.5 dB	
Pass Band Ripple (Max.)	0.3 dB	
Return Loss (Min.)	18.0 dB	
Rejection (Min.)	45 dBc @ 10.98 GHz	
	45 dBc @ 17.98 GHz	
In/ Out Impedance	50 Ω	
Handling Power (Max.)	CW 1 W	
Operating Temperature	-40 °C ~ +85 °C	
Dimensions	29.5 * 12.4 * 11.0 mm	Excluding Connectors
Connector	SMA (Female)	

### Outline drawing



### Typical Response

